

Network Cameras Box



Network Cameras

Box:	
IPC-P4A2W-S	۲
IPC-P4A2WH-S/C	۳
IPC-A4A2WH-SF	۴
IPC-A4A8W-SF	۵
IPC-A4ACD-SF	۶

IPC-P4A2W-S

2MP WDR Network Box Camera



قابلیت های کلیدی

- قابلیت روز و شب
- لوکس نوری پایین
- کاهنده نویز دیجیتال 3D

- پشتیبانی از 3 استریم تصویر
- پشتیبانی از ROI
- پشتیبانی از حالت راهرو 9:16
- OSD قابل تنظیم

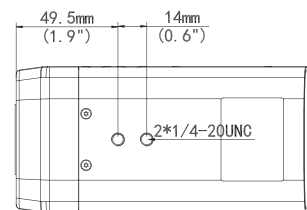
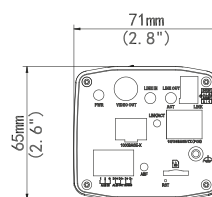
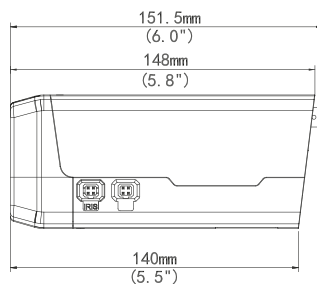
- پشتیبانی از پروتکل ONVIF
- ورودی برق 24VAC/12VDC/POE
- دمای کارکرد -20 تا +60 درجه سانتیگراد
- حفاظت الکتریکی 6KV

Specifications

Sensor	1/2.8", 2.0 megapixel, progressive scan, CMOS
Shutter	Auto/Manual, 1 - 1/100000s
Minimum Illumination	Colour: 0.0005Lux (F1.2, AGC ON) B/W: 0.0001Lux(F1.2, AGC ON)
Lens Mount	C/CS
Iris	DC-Iris/P-Iris, DC 5V (4 Pins)
Day/Night	IR-cut filter with auto switch (ICR)
Digital noise reduction	2D/3D DNR
S/N	>52dB
Defog	Digital Defog
WDR	120dB
Video Compression	Ultra 265, H.264, MJPEG
H.264 code profile	Baseline profile, Main Profile, High Profile
Frame Rate	Main Stream: 2MP (1920*1080), Max 30fps; Sub Stream: 2MP (1920*1080), Max 30fps; Third Stream: D1 (720*576), Max 30fps
9:16 Corridor Mode	Supported
HLC	Supported
BLC	Supported
DSD	Up to 8 OSDs
Privacy Mask	Up to 8 areas
ROI	Up to 8 areas
Motion Detection	Up to 4 areas
Smart Features	Audio detection, cross line, intrusion, object left, object removed, People counting, Face capture

General Function	Watermark, IP Address Filtering, Tampering Alarm, Alarm input, Alarm output, Access Policy, ARP Protection, RTSP Authentication, User Authentication
Audio Compression	G.711
Two-way audio	Supported
Suppression	Supported
Sampling Rate	8KHZ
Edge Storage	Micro SD, up to 256GB
Network Storage	ANR
Protocols	IPv4, IGMP, ICMP, ARP, TCP, UDP, DHCP, PPPoE, RTP, RTSP, RTCP, DNS, DDNS, NTP, FTP, UPnP, HTTP, HTTPS, SMTP, 802.1x, SNMP, QoS
Compatible Integration	ONVIF (Profile S, Profile G), API
Audio I/O	3.5mm audio interface Input: impedance 35kΩ; amplitude 2V [p-p] Output: impedance 600Ω; amplitude 2V [p-p]
Alarm I/O	2/1
Zoom/focus	N/A
Serial Port	1 RS485 (support Pelco-D/P)
Network	1 RJ45 10M/100M Base-TX Ethernet
Video Output	1 BNC, impedance 75Ω; amplitude 1V [p-p]
Power	AC 24V±10%, DC 12V±10%, PoE (IEEE 802.3af) Power consumption: Max 6.8W
Dimensions (L x W x H)	151.5 x 71 x 65mm (6.0" x 2.8" x 2.6") [excluding the lens]
Weight	0.48kg (1.1lb)
Working Environment	-20°C - 60°C (-4°F - 140°F), Humidity: ≤95% RH (non-condensing)
Reset Button	Supported

Dimensions



IPC-P4A2WH-S/C

2MP LightHunter WDR Network Box Camera



قابلیت های کلیدی

- قابلیت روز و شب
- لوکس نوری پایین
- کاهنده نویز دیجیتال 3D

- Ultra265, H.265, H.264, MJPEG
- پشتیبانی از 3 استریم تصویر
- پشتیبانی از ROI
- OSD قابل تنظیم

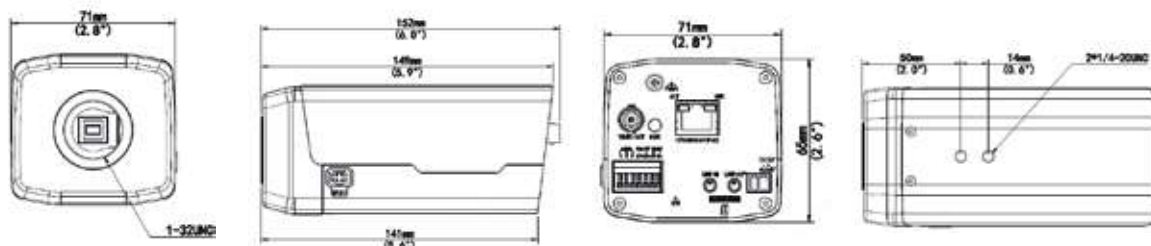
- پشتیبانی از پروتکل ONVIF
- ورودی برق 24VAC/12VDC/POE
- دمای کارکرد -20 تا +50 درجه سانتیگراد
- حفاظت الکتریکی 6KV

Specifications

Sensor	1/2.8", 2.0 megapixel, progressive scan, CMOS
Minimum Illumination	Colour:0.0005lux (F1.2, AGC ON) B/W: 0.0001Lux(F1.2, AGC ON)
Day/Night	IR-cut filter with auto switch [ICR]
Shutter	Auto/Manual, 1 - 1/100000s
WDR	120dB
S/N	>52dB
ABF	N/A
Lens Mount	C/CS
Iris	DC-Iris/P-Iris, DC 5V (4 Pins)
Video Compression	Ultra 265, H.265, H.264, MJPEG
Frame Rate	Main Stream: 2MP (1920*1080), Max 60fps; Sub Stream: 720P (1280*720), Max 60fps; Third Stream: D1 (720*576), Max 60fps
Video Bit Rate	128 Kbps-16 Mbps
ROI	Up to 8 areas
OSD	Up to 8 OSDs
Privacy Mask	Up to 4 areas per scene
White Balance	Auto/Outdoor/Fine Tune/Sodium Lamp/Locked/Auto2
Digital noise reduction	2D/3D DNR
Flip	Normal/Flip Vertical/Flip Horizontal/180°/90° Clockwise/90° Anti-clockwise
HLC	Support
BLC	Support
Defog	Digital Defog
General Function	Watermark, IP Address Filtering, Alarm input, Alarm output, Access Policy, ARP Protection, RTSP Authentication, User Authentication
Smart Features	Audio detection, Deep Learning, Cross Line, Enter Area, Leave Area, Intrusion, Face Capture (Maximum 8)
Audio Compression	G.711U, G.711A
Audio Bitrate	64 Kbps

Two-way Audio	Support
Suppression	Support
Sampling Rate	8KHz
Edge Storage	Micro SD, up to 256 GB
Network Storage	ANR,NAS(NFS)
Protocols	IPv4, IGMP, ICMP, ARP, TCP, UDP, DHCP, PPPoE, RTP, RTSP, RTCP, DNS, DDNS, NTP, FTP, UPnP, HTTP, HTTPS, SMTP, 802.1x, SNMP, QoS, RTMP,SSL/TLS
Compatible Integration	ONVIF (Profile S, Profile G, Profile T), API,SDK
User/Host	Up to 32 users, 2 user levels: administrator and common user
Security	Password protection, strong password, HTTPS encryption, basic and digest authentication for RTSP, digest authentication for HTTP, TLS 1.2, WSSE and digest authentication for ONVIF
Web Browser	Plug-in required live view: IE9+, Chrome 41 and below, Firefox 52 and below Plug-in free live view: Chrome 57.0+, Firefox 58.0+, Edge 16+, Safari 11+
Audio I/O	1/1
Alarm I/O	2/1
Serial Port	1 RS485
Built-in Mic	N/A
Built-in Speaker	N/A
Network	1 * RJ45 10M/100M Base-TX Ethernet
Video Output	1 BNC
Power	DC12V(±25%), AC24V(±25%), PoE(IEEE 802.3af) Power consumption: Max 7.0W
Power Interface	Two-core terminal block
Dimensions (L x W x H)	152 x 71 x 65mm (6.0" x 2.8" x 2.6") (excluding the lens)
Weight	0.38kg (0.84lb)
Working Environment	-20°C - 50°C (-4°F - 122°F), Humidity: ≤95% RH (non-condensing)
Surge Protection	6KV
Reset button	Support
Protection	N/A

Dimensions



IPC-A4A2WH-SF

2MP WDR Starlight Network Box Camera



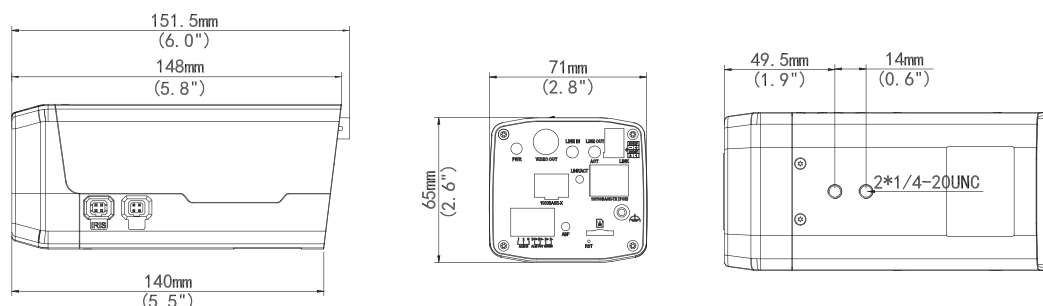
قابلیت های کلیدی

- پشتیبانی از پروتکل ONVIF
- پورت شبکه و فیبر نوری
- ورودی برق 24VAC/12VDC/POE
- دمای کارکرد -20 تا +60 درجه سانتیگراد
- حفاظت الکتریکی 6KV
- پشتیبانی از 3 استریم تصویر
- پشتیبانی از ROI
- پشتیبانی از حالت راهرو 9:16
- قابلیت روز و شب
- لوکس نوری پایین
- کاهنده نویز دیجیتال 3D

Specifications

Sensor	1/1.8", 2.0 megapixel, progressive scan ,CMOS	General Function	Watermark, IP Address Filtering, Tampering Alarm, Alarm input, Alarm output, Access Policy, ARP Protection, RTSP Authentication, User Authentication
Lens Mount	CS	Audio Compression	6.711
Shutter	Auto/Manual, 1 - 1/100000s	Two-way Talking	Supported
Minimum Illumination	Colour: 0.0005Lux (F1.2, AGC ON) B/W: 0.0001Lux (F1.2, AGC ON)	Suppression	Supported
Day & Night	Automatically removable IR-cut filter(ICR)	Sampling Rate	8KHZ
Digital noise reduction	2D/3D DNR	Edge Storage	Micro SD, up to 256GB
S/N	>52dB	Network Storage	ANR
Defog	Optical Defog & Digital Defog	Protocols	IPv4, IGMP,ICMP, ARP, TCP, UDP, DHCP, PPPoE, RTP, RTSP, RTCP, DNS, DDNS, NTP, FTP, UPnP, HTTP, HTTPS, SMTP, 802.1x, SNMP, DoS
WDR	120dB	Compatible Integration	ONVIF (Profile S, Profile G, Profile T), API 3.5mm audio interface
Video Compression	Ultra 265, H.265, H.264, MJPEG	Audio I/O	Input: impedance 35kΩ; amplitude 2V [p-p] Output: impedance 600Ω; amplitude 2V [p-p]
H.264 code profile	Baseline profile, Main Profile, High Profile	Alarm I/O	2/1
Frame Rate	Main Stream: 2MP (1920*1080), Max 60fps; Sub Stream: 2MP (1920*1080), Max 60fps; Third Stream: D1 (720*576), Max 60fps	Zoom/focus	N/A
9:16 Corridor Mode	Supported	Iris	P-Iris/DC- Iris
HLC	Supported	Serial Port	1 RS485 (support Pelco-D/P)
BLC	Supported	Network	1 RJ45 100M/1000M Base-FX SFP+100M/1000M Base-TX Ethernet
ABF	Supported	Video Output	1 BNC, impedance 75Ω; amplitude 1V [p-p]
OSD	Up to 8 OSDs	Power	AC 24V±25%, DC 12V±25%, PoE (IEEE 802.3af) Power consumption: Max 6.8W
ROI	Up to 8 areas	Dimensions (L x W x H)	151.5 x 71 x 65mm (6.0" x 2.8" x 2.6") [excluding the lens]
Privacy Mask	Up to 8 areas	Weight	0.48kg (1.1lb)
Motion Detection	Up to 4 areas	Working Environment	-20°C - 60°C [-4°F - 140°F], Humidity: ≤95% RH (non-condensing)
Smart Features	Audio detection, cross line, intrusion, object left, object removed, People counting, Face capture	Reset Button	Supported

Dimensions



IPC-A4A8W-SF

4K Ultra-HD LightHunter WDR Network Box Camera



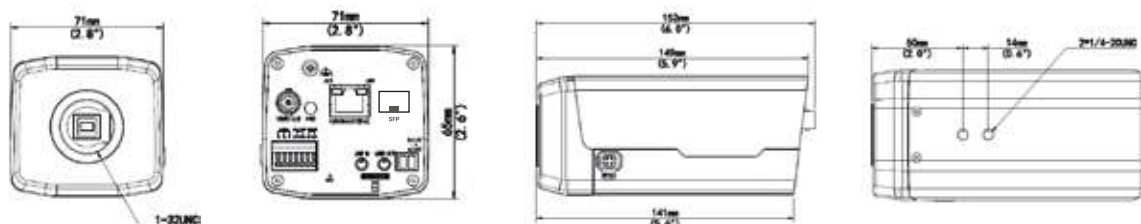
قابلیت های کلیدی

- پشتیبانی از پروتکل ONVIF
- ورودی برق 24VAC/12VDC/POE
- دمای کارکرد -20 تا +60 درجه سانتیگراد
- حفاظت الکتریکی 6KV
- Ultra265, H.265, H.264, MJPEG
- پشتیبانی از 3 استریم تصویر
- پشتیبانی از ROI
- OSD قابل تنظیم
- قابلیت روز و شب
- لوکس نوری پایین
- کاهنده نویز دیجیتال 3D

Specifications

Sensor	1/1.8", 8.0 megapixel, progressive scan, CMOS	Audio Bitrate	64 Kbps
Minimum Illumination	Colour:0.002Lux (F1.2, AGC ON) B/W: 0.0002Lux(F1.2, AGC ON)	Two-way Audio	Support
Day/Night	IR-cut filter with auto switch (ICR)	Suppression	Support
Shutter	Auto/Manual, 1 - 1/100000s	Sampling Rate	8KHz
WDR	120dB	Edge Storage	Micro SD, up to 256 GB
S/N	>56dB	Network Storage	ANR,NAS(NFS)
ABF	Support	Protocols	IPv4, IGMP, ICMP, ARP, TCP, UDP, DHCP, PPPoE, RTP, RTSP, RTCP, DNS, DDNS, NTP, FTP, UPnP, HTTP, HTTPS, SMTP, 802.1x, SNMP, QoS, RTMP,SSL/TLS
Lens Mount	C/CS	Compatible Integration	ONVIF (Profile S, Profile G, Profile T), API,SDK
Iris	DC-Iris/P-Iris, DC 5V (4 Pins)	User/Host	Up to 32 users, 2 user levels: administrator and common user
Video Compression	Ultra 265, H.265, H.264, MJPEG	Security	Password protection, strong password, HTTPS encryption, basic and digest authentication for RTSP, digest authentication for HTTP, TLS 1.2, WSSE and digest authentication for ONVIF
Frame Rate	Main Stream: 8MP (3840*2160), Max 30fps in Frame Rate Priority mode; Max 20fps in Smart Priority mode; Sub Stream: 2MP (1920*1080), Max 30fps; Third Stream: D1 (720*576), Max 30fps	Web Browser	Plug-in required live view: IE9+, Chrome 41 and below, Firefox 52 and below
Video Bit Rate	128 Kbps-16 Mbps	Audio I/O	1/1
ROI	Up to 8 areas	Alarm I/O	2/1
OSD	Up to 8 OSDs	Zoom/focus	Support
Privacy Mask	Up to 4 areas per scene	Serial Port	1 RS485
White Balance	Auto/Outdoor/Fine Tune/Sodium Lamp/Locked/Auto2	Built-in Mic	N/A
Digital noise reduction	2D/3D DNR	Built-in Speaker	N/A
Flip	Normal/Flip Vertical/Flip Horizontal/180°	Network	1*100M/1000M SFP+ 1*RJ45 10M/100M/1000M Base-TX Ethernet
HLC	Support	Video Output	1 BNC
BLC	Support	Power	DC12V(±25%), AC24V(±25%), PoE(IEEE 802.3af) Power consumption: Max 8.0W
Defog	Optical Defog & Digital Defog	Power Interface	Two-core terminal block
General Function	Watermark, IP Address Filtering, Alarm input, Alarm output, Access Policy, ARP Protection, RTSP Authentication, User Authentication	Dimensions (L x W x H)	152 x 71 x 65mm (6.0" x 2.8" x 2.6") (excluding the lens)
Smart Features	Audio detection, Deep Learning, Cross Line, Enter Area, Leave Area, Intrusion, People counting, People Flow counting, Crowd Density Monitoring, Face Capture (Maximum 40)	Weight	0.40kg (0.88lb)
Audio Compression	G.711U, G.711A	Working Environment	-20°C - 60°C (-4°F - 140°F), Humidity: ≤95% RH (non-condensing)
		Surge Protection	6KV
		Reset button	Support
		Protection	N/A

Dimensions



IPC-A4ACD-SF

4K Ultra-HD SFP Network Box Camera



قابلیت های کلیدی

- پشتیبانی از پروتکل ONVIF
- پورت شبکه و فیبر نوری
- ورودی برق 24VAC/12VDC/POE
- دمای کارکرد -20 تا +60 درجه سانتیگراد
- حفاظت الکتریکی 6KV
- پشتیبانی از 3 استریم تصویر
- پشتیبانی از ROI
- پشتیبانی از حالت راهرو 9:16
- قابلیت روز و شب
- لوکس نوری پایین
- کاهنده نویز دیجیتال 3D
- قابلیت ضد مه

Specifications

Sensor	1/1.7", progressive scan ,CMOS
Lens Mount	CS
Shutter	Auto/Manual, 1 - 1/100000s
Minimum Illumination	Colour: 0.06Lux (F1.2, AGC ON) B/W: 0.03Lux (F1.2, AGC ON)
Iris	DC-Iris 4V (4-Pin)/P-Iris 5V (4-Pin)
Day & night	Automatically removable IR-cut filter(ICR)
Digital noise reduction	2D/3D DNR
Motor Zoom/focus	DC 5V (4-Pin)
S/N	>55dB
Defog	Optical Defog & Digital Defog
WDR	100 dB
Video Compression	Ultra 265, H.265, H.264, MJPEG
H.264 code profile	Baseline profile, Main Profile, High Profile
Frame Rate	Main Stream: 12MP (4000*3000), Max 20fps; 8MP (3840*2160), Max 30fps; 2MP (1920*1080), Max 30fps; Sub Stream: 2MP (1920*1080), Max 30fps; Third Stream: D1 (720*576), Max 30fps
9:16 Corridor Mode	Supported
HLC	Supported
BLC	Supported
ROI	Up to 8 areas
OSD	Up to 8 OSDs
Privacy Mask	Up to 8 areas
Smart Features	Audio detection, cross line, intrusion, object left, object removed, People counting, Face capture

Motion Detection	Up to 4 areas
General Function	Watermark, IP Address Filtering, Tampering Alarm, Alarm input, Alarm output, Access Policy, ARP Protection, RTSP Authentication, User Authentication
Audio Compression	G.711
Two-way audio	Supported
Suppression	Supported
Sampling Rate	8KHZ
Edge Storage	Micro SD, up to 256GB
Network Storage	ANR
Protocols	IPv4, IGMP, ICMP, ARP, TCP, UDP, DHCP, PPPoE, RTP, RTSP, RTCP, DNS, DDNS, NTP, FTP, UPnP, HTTP, HTTPS, SMTP, 802.1x, SNMP, QoS
Compatible Integration	ONVIF (Profile S, Profile G, Profile T), API
Audio I/O	3.5mm audio interface 1 Input: impedance 35kΩ; amplitude 2V [p-p] 1 Output: impedance 600Ω; amplitude 2V [p-p]
Alarm I/O	2/1
Serial Port	1 RS485 (support Pelco-D/P)
Network	100M/1000M Base-FX SFP+100M/1000M Base-TX Ethernet
Video Output	1 BNC, impedance 75Ω; amplitude 1V [p-p]
Power	AC 24V±25%, DC 12V±25%, PoE (IEEE 802.3af) Power consumption: Max 9.5W
Dimensions (L * W * H)	151.5 x 71 x 65mm [6.0" x 2.8" x 2.6"] (excluding the lens)
Weight	0.48kg (1.1lb)
Working Environment	-20°C - 60°C (-4°F - 140°F), Humidity: ≤95% RH (non-condensing)
Reset Button	Supported

Dimensions

